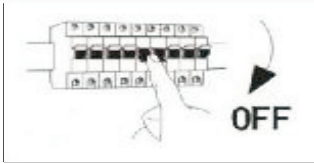


INSTALLATION INSTRUCTIONS

SAYLOR™ SERIES

LED LINEAR HIGH BAY

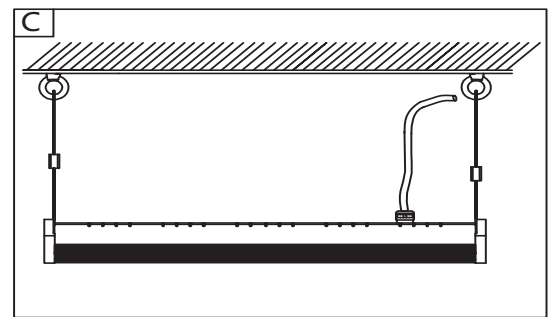
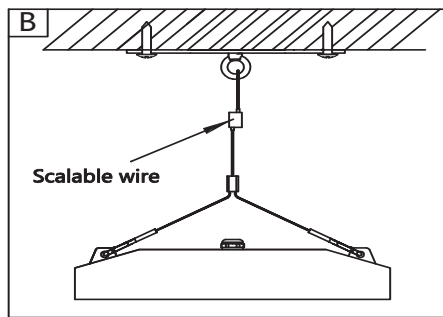
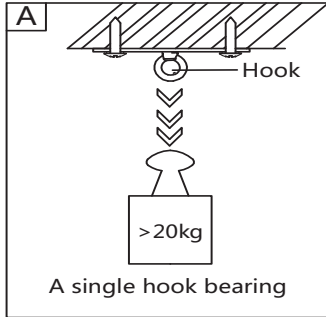


A : Turn off the switch.

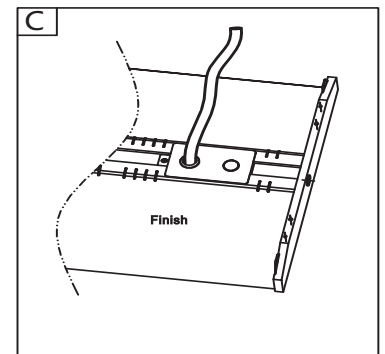
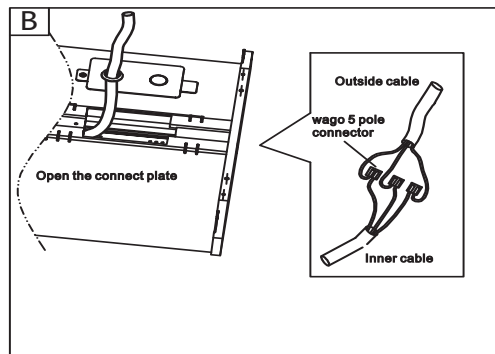
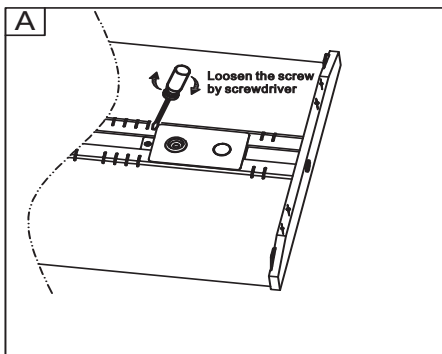
B ① Product model and product power

Model	Power	HBM4C300V1P	300W
HBM4F100V1P	100W	HBM4C400V1P	400W
HBM4F150V1P	150W	HBM4F480V1P	480W
HBM4C200V1P	200W		
HBM4C240V1P	240W		

C ① Install wiring diagram and sling.



D ① Connection way



E ① Three-dimensional sketch map.

